

# FUSHENG



SINCE 1953

## A & D-SERIES SINGLE STAGE RECIPROCATING AIR COMPRESSORS

Fusheng Industrial Co. Ltd. was established in Taiwan more than 50 years ago and has grown to become one of the world's largest air compressor manufacturers.

First introduced to Australia in 1980, Fusheng's A & D - Series air compressors have since earned a reputation for outstanding performance and reliability. They can be purchased either separately as bare pumps (pictured) or as an integral part of premium quality air compressor sets.

Sales, service and genuine spare parts are readily available from an Australia wide network of Fusheng dealers.

## STANDARD FEATURES

- > Heavy duty, low rotational speed industrial design.
- > Precision machined cast iron crankcase and cylinders.
- > Cast iron cylinder heads with rugged poppet valves (A-Series).
- > Aluminium alloy cylinder heads with efficient reed valves (D-Series).
- > Forged alloy steel crankshaft with rolling element main bearings.
- > Oversized crankcase oil reservoir with oil level sight glass.
- > Long life compression and oil control piston rings.
- > Deep directional cooling fins with streamlined air passages.
- > Built-in head unloaders with interconnecting pipes (A-Series).
- > Noise suppressed air intakes with replaceable filter elements.
- > V-Belt drive compatible with electric, petrol and diesel motors.
- > Manufactured to stringent ISO 9001 quality standards.

## SPECIFICATIONS

Model	Bore	Stroke	No. of	Speed	Displacement		Motor Req'd	
	mm	mm	Cyl's	rpm	cfm	L/min	hp	kW
CA-51	51	42	1	800	2.4	69	0.75	0.55
CA-65	65	44	1	800	4.1	117	1	0.75
VA-51/D-2	51	42	2	1,000	6.1	172	1.5	1.1
VA-65/D-3	65	44	2	900	9.3	263	2	1.5
TA-65/D-4	65	48	3	900	15.2	430	3	2.2
VA-80	80	60	2	900	19.2	543	4	3
TA-80	80	60	3	900	28.8	814	5.5	4
VA-100	100	70	2	900	35.0	990	7.5	5.5
TA-100	100	70	3	900	52.5	1,484	10	7.5
TA-120	120	80	3	750	71.9	2,036	15	11

Maximum Outlet Pressure = 142 psi (980 kPa)

## MODEL RANGE



CA-51



CA-65



VA-51



VA-65



TA-65



VA-80



TA-80



VA-100



TA-100



TA-120



D-2



D-3



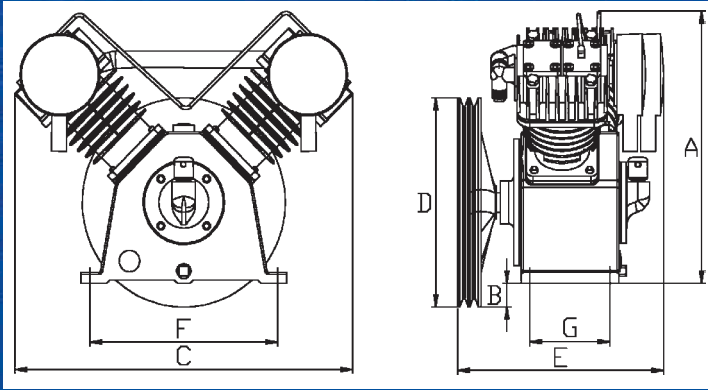
D-4

# FUSHENG



SINCE 1953

## DIMENSIONS

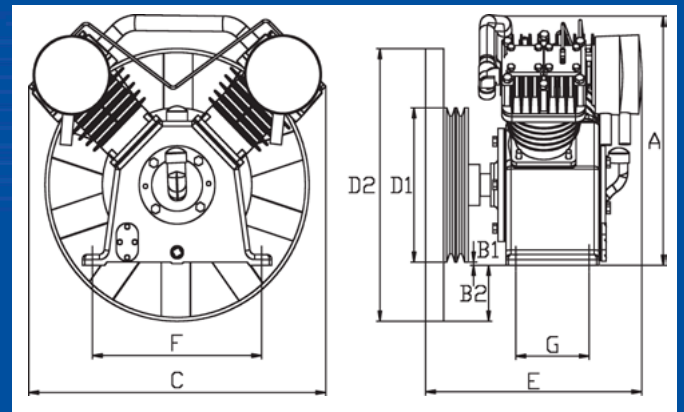


← Dimensions (mm) →

Model	A	B	C	D	E	F	G	Air Outlet	V-Belt Qty	V-Belt Type	Dry Wt (kg)
CA-51	273	7	173	173	182	140	72	½"	1	A	7.8
CA-65	331	49	270	270	222	170	96	½"	1	A	14.2
VA-51	257	53	310	270	228	190	93	½"	1	A	13.8
VA-65	317	35	370	270	275	222	120	½"	1	A	20.5
TA-65	357	25	466	270	320	222	150	½"	2	A	27.2
VA-80	404	37	530	314	380	292	125	¾"	2	A	48.0
TA-80	470	70	592	400	426	294	160	¾"	2	A	67.5
D-2	258	53	318	270	258	190	93	½"	1	A	12.5
D-3	300	30	360	270	275	222	120	½"	1	A	20.5
D-4	363	25	466	270	320	222	150	½"	2	A	26.0

← Dimensions (mm) →

Model	A	B1	B2	C	D1	D2	E	F	G	Air Outlet	V-Belt Qty	V-Belt Type	Dry Wt (kg)
VA-100	490	6	109	586	300	530	475	350	150	1"	2	B	93.5
TA-100	550	18	97	660	300	530	510	350	170	1"	3	B	121.0
TA-120	660	24	115	810	352	630	580	396	228	1¼"	4	B	182.0



Oversize pulleys are available as an option for models VA/TA-100 and TA-120 to enable their use with high speed motors.

## WARRANTY

Fusheng air compressors are warranted against faulty materials and workmanship for 12 months from the date of purchase. Freight charges to and from the warranty service centre, fair wear and tear, operating consumables, accidental damage, misuse or neglect, unauthorized alterations or repairs, non-genuine spare parts, and any other loss or consequential damage are specifically excluded.

## BUYER'S GUIDE

Avoid poor quality unbranded products by always checking for the Fusheng logo and model number that are cast into the crankcase of every genuine Fusheng A or D - Series air compressor.

Exclusive Australian Distributor:

**GLENCO**  
MANUFACTURING PTY LTD

GLENCO MANUFACTURING PTY LTD  
72 Platinum Street  
Crestmead QLD 4132  
Australia  
Phone: (07) 3803 4100  
Fax: (07) 3803 1255  
E-mail: sales@glencomfg.com.au  
Web: www.glencomfg.com.au



Your local authorized Fusheng dealer:



Specifications are subject to change without notice.